

POST-SEASON INDIVIDUAL WRESTLING TOURNAMENT MANUAL

CLASSIFICATION OF TEAMS

There are three classifications in wrestling. The largest 64 schools with wrestling programs will Class 3A; the next 96 largest will be Class 2A; and the remainder of the schools with wrestling program will be Class 1A.

TOURNAMENT DATES & STARTING TIMES

SECTIONALS: 1A & 2A - February 6, 2010, 12:00, Noon, unless stated otherwise on the site and assignments.

DISTRICTS: 1A, 2A & 3A - February 13, 2010, 12:00, Noon, unless stated otherwise on the site and assignments.

TIME SCHEDULES FOR SECTIONAL AND DISTRICT WRESTLING TOURNAMENTS

Wrestling shall take place during one session, with one 20-minute break allowed at a time determined by the meet manager.

The following time schedule is recommended for 1A & 2A sectional, and 3A district, tournaments, however, tournament managers will make the final determination as to the final schedule.

Round 1: First-round matches.

Round 2: Semifinal matches & first round consolation matches.

Round 3: Championship finals and front-side consolation matches (*losers of semi-finals*) in each weight class will be wrestled simultaneously. **EXAMPLE:** 103-lb. championship final and 103-lb. front-side consolation on two mats at the same time. Continue with this procedure through the 285 lb. weight class so losers of the championship final and front-side consolation will have a similar amount of rest in the event they wrestle for true second place.

Round 4: Fifth-place matches.

Round 5: Consolation final matches for determining true second place, when needed.

This schedule should expedite wrestling, as far as wrestlebacks and consolation matches are concerned, and allow competitors as much equity as possible regarding rest between matches.

In class 1A and 2A district tournaments, championship and consolation finals begin immediately after first-round matches are concluded. Keep in mind the national rule requiring 45 minutes rest between matches.

ADMISSION

All sectional and district tournaments are wrestled in one session. It is only necessary for spectators to purchase one ticket for the entire tournament.

SECTIONAL & DISTRICT TICKET PRICES: Adults & Students (K-12) \$5.00

COMPLIMENTARY ADMISSIONS TO SECTIONAL AND DISTRICT TOURNAMENTS

The following people are allowed complimentary admission to all sectional and district tournaments:

1. The participating wrestlers from each school who will actually weigh-in, the head coach(es), two assistant coaches, and two team managers.
2. A maximum of six cheerleaders, in uniform, and their chaperone, if their school is represented by one or more participants.
3. Any superintendent, principal, or athletic director, and their respective spouses, who present their current IHSAA identification card and sign in. No members of the families of an administrator or coach shall be admitted free unless they qualify in one of the other categories.
4. Any current, or former, IHSAA Board of Control member presenting a lifetime pass and their respective spouse will be admitted free.
5. Any member of the host school's Board of Education and spouse.
6. Bona fide members of the press, radio and television media attending in the capacity of reporter and/or photographer. **(This does not include a representative of a school paper, yearbook, etc.)**
7. One team bus driver for each school.

STATE TOURNAMENT TICKETS

Only general admission tickets are available for the first NINE sessions at the state tournament. **Only reserved tickets are available for the FINALS on Saturday evening. The finals are sold out and no tickets remain for sale.**

STATE TOURNAMENT TICKET PRICE: \$8.00 (All Sessions)

SCHOOL ADMINISTRATORS ATTENDING STATE WRESTLING TOURNAMENT

The Board of Control has adopted a policy which allows school administrators to use their administrator pass for free admission during general admission sessions of the tournament in which their school is competing. **THIS EXCLUDES THE STATE FINALS AS IT IS A SOLD OUT, RESERVED SESSION.** The school administrator pass states it is not valid for the state wrestling tournament so this policy is an exception to what is stated on the pass. **The Board of Control has made this exception strictly for supervision purposes.** A spouse or guest is **NOT** permitted free admittance to any session of the state wrestling tournament. **Anyone who may be with an administrator, including their spouse and/or children, will need to have, or purchase, a ticket of admission.** Tickets can be purchased before the tournament at the school or onsite tickets are sold at the box office in Hy-Vee Hall or the box office at the main entrance to Wells Fargo Arena, **not** at the administrators' entrance.

School administrators using their pass will need to enter Wells Fargo Arena through **the VIP/Media Entrance at the northwest corner. By showing their administrator pass and photo ID to the IHSAA personnel at the VIP/Media table the administrator will be given complimentary admission to the general admission**

session(s) of the state tournament in which their school is competing. No tickets are sold at the VIP/Media Entrance.

Current and former IHSAA Board of Control members holding an IHSAA Board of Control lifetime pass, along with their spouse, are admitted free to the first **NINE** (general admission) sessions of the state tournament. **RESERVED SEAT TICKETS ARE REQUIRED FOR ALL SPECTATORS ATTENDING THE CHAMPIONSHIPS ON SATURDAY EVENING.**

**ADVANCEMENT POINTS FOR BYES IN
1A/2A SECTIONAL & 3A DISTRICT TOURNAMENTS ONLY**

Advancement points in Class 1A/2A Sectional and Class 3A district tournaments shall be awarded according to the most current NFHS Wrestling Rule Book, with the following exceptions.

1) Two advancement points will be awarded to all competitors receiving a bye in first-round competition regardless of the outcome of the following match and one advancement point will be awarded in the consolation round to competitors receiving a bye in the first-round consolation, regardless of the outcome of the next match.

2) When there are only five (5) wrestlers in a weight bracket, the wrestler receiving fifth (5th) place will receive one advancement point as he has no opportunity to improve his placement.

ADVANCING FROM SECTIONAL AND DISTRICT COMPETITION

For each of the sixteen Class 1A and 2A sectional tournaments, the champion and runner-up in each weight class will advance to the district tournaments. There will be eight Class 1A & 2A district tournaments with four wrestlers per weight class in each district tournament. There will also be eight Class 3A district tournament with the possibility of a maximum of eight wrestlers in each weight class. Each of the 1A, 2A, and 3A district tournaments will qualify the champion and runner-up to the state meet.

If for some reason (injury, illness, ineligibility, etc.) a Class 1A or 2A wrestler who has qualified for the district tournament cannot compete, the athletic director from the wrestler's school should call the IHSAA immediately. When this occurs, the third-place finisher from that sectional will advance to district competition. If a sectional champion is unable to compete in the district tournament, the runner-up from that sectional will take the champion's place on the district bracket and the 3rd-place wrestler from that sectional will take the runner-up place on the bracket. If a runner-up is unable to compete, the 3rd-place wrestler from that sectional will take the runner-up's place on the bracket. **In no case will a 4th-place sectional finisher advance to the district tournament.**

Likewise, a third-place finisher at the district level will serve as an alternate in the state meet in the event the district champion or runner-up cannot compete. **In no case will a 4th-place district finisher advance to the state tournament.**

If the 1st-place, 2nd-place or 3rd-place wrestlers cannot compete in 1A/2A districts, or at the state tournament in any class, the opposing wrestler present is awarded a forfeit and two advancement points.

AWARDS

1. **In sectional & district competition**, individuals placing first - third in their respective weight classes will be awarded medals. Each individual champion will also receive the IHSAA wall chart for their weight class. In addition, the district team champion will receive an IHSAA District Wrestling Championship banner. **Wrestlers participating in the awards ceremonies are to wear only school-issued attire.**

2. **In state competition**, individuals placing first - eighth in their respective weight classes will be awarded medals. Each individual champion will also receive the IHSAA wall chart for their weight class. **Wrestlers participating in the awards ceremonies are to wear only school-issued attire.** Team trophies will be awarded to the champion, runner-up, and third-place teams in each classification. The championship, runner-up, and third-place teams in the state meet will have their picture taken and a picture plaque will be presented to each of the participating team members, and the head coach, compliments of the IHSAA. Additional plaques may be purchased at the expense of the school. In addition, the first - third place teams will receive an IHSAA state wrestling banner.

BANNERS, SIGNS, HOOPS, CONFETTI, ETC., PROHIBITED

The Board of Control of the IHSAA prohibits spectators from displaying any banners or signs, artificial noise makers, as well as, the use of confetti, etc. Cheerleaders are prohibited from using a paper hoop designed for athletes to run through when coming onto the mat. *(This regulation is in effect for all sectional & district tournaments, as well as, the state tournament.)*

BOARD POLICY REGARDING SPECTATOR DRESS AT STATE TOURNAMENT SERIES CONTESTS

Shirts and shoes are required attire for spectators in attendance at all indoor IHSAA-sponsored athletic events.

BLOOD BORNE PATHOGENS

Host schools should have available the necessary disposable supplies and personnel for cleaning blood from the mat or other areas of the facility. Participating schools are responsible for the cleaning of blood and other body fluids from their own athletes, and to use universal precautions when doing so.

BYES, DEFAULTS & FORFEITS AT SECTIONAL AND DISTRICT TOURNAMENTS

Rule 10-3 in the NFHS Wrestling Rule Book addresses tournament brackets and byes. The following are examples explaining how team points should be awarded for a bye, forfeit or default.

Example 1: Wrestler #1 is scheduled to wrestle #2 in the first round of the 1A/2A sectional, or 3A district, tournament. Wrestler #1 makes weight and is ready to wrestle, but wrestler #2 fails to make weight. Wrestler #1 receives a bye, is awarded two

advancement points and advances to the next round. *No forfeit is awarded because wrestler #2 is not officially entered in a 1A/2A sectional, or 3A district, tournament as he did not make weight at the weigh-in.*

Example 2: Wrestler #1 is scheduled to wrestle #2 in the first round of the 1A/2A sectional or 3A district tournament. Both wrestlers make weight. Wrestler #2 becomes ill, or injured, and is unable to wrestle. Wrestler #1 is declared the winner by forfeit, is awarded two points for the forfeit, two advancement points and advances to the next round of competition. *If this occurs during the consolation round, only one advancement point would be scored.*

Example 3: Wrestler #1 is scheduled to wrestle #2 in the first round of a 1A/2A district tournament, or at the state meet in any class. Wrestler #1 fails to make weight. Wrestler #2, who made weight, wins by forfeit and is awarded two points for the forfeit and two points for advancement as all wrestlers are officially entered in the tournament through qualification at the sectional or district tournament.

Example 4: Wrestler #1 and wrestler #2 are competing in a match. Wrestler #2 becomes injured through NO illegal action by #1 and is unable to continue. Wrestler #1 wins the match by default and is awarded two points for the default, plus two points for advancement, providing the match is part of the championship bracket. If this match occurs during the consolation round, only one advancement point would be scored, in addition to the two points for the default.

CERTIFIED WEIGHT

Wrestlers who have NOT certified their minimum wrestling weight class by making scratch weight in that weight class at least one time during the regular season must make scratch weight at the Class 1A or 2A sectional, or 3A district, tournaments.

CHEERLEADERS

Each school participating in a sectional or district wrestling tournament is allowed a maximum of 6 cheerleaders, if they are wearing a BONA-FIDE SCHOOL ISSUED OR APPROVED CHEERLEADING uniform (**NO T-shirts and shorts**) and one chaperone to be admitted free-of-charge. Additional information for cheerleaders is provided on the IHSAA web site under the "Wrestling" heading.

CLEANING THE WRESTLING MATS

To reduce the risk of communicable skin conditions, it is recommended that sectional and district hosts clean the wrestling mats with disinfectant cleaner between rounds, as necessary.

COMMUNICABLE SKIN CONDITIONS

As during the regular season, **coaches who have a wrestler(s) with a suspect skin condition are required to have the completed IHSAA Skin Condition Report Form indicating the condition is not communicable with them in order for the wrestler(s) to compete. COACHES MUST PRESENT THE FORM TO THE MEET MANAGER OR LEAD OFFICIAL AT THE WEIGH-INS.** If a ***designated*** on-site medical professional (*Medical Doctor, Doctor of Osteopathic Medicine, Doctor of*

Chiropractic, Physician's Assistant, or Advanced Registered Nurse Practitioner) is present at the weigh-ins he or she has the authority to rule on any suspect communicable skin conditions. This medical professional has the authority to allow, or deny, participation regardless of what is indicated on the IHSAA Skin Condition Report Form.

CONCESSIONS, PROGRAMS & T-SHIRTS

Each tournament manager is responsible for the sale of concessions, programs, T-shirts and any other items they may want to have available for sale at their sectional and district tournament.

CONDUCT COUNTS

Conduct Counts rules are in effect for all post-season tournaments. Each host school should have Conduct Counts posters for the posting of these rules.

ENTRY REGULATIONS & VERIFICATION

Entry blanks will be provided to all wrestling schools so they may enter their Class 1A & 2A Sectional and 3A District Tournament. Athletic directors and coaches should be sure to keep a copy of the entry blank for their files. **One copy of the entry blank should be mailed or faxed to the tournament manager SEVEN days before the tournament.**

Wrestlers cannot be entered in the meet at a lower weight class than permitted by his/her body composition assessment or descent plan. Any changes in the entries submitted must be made BEFORE the official weigh-ins begin. While a school may weigh-in more than one contestant per weight class, only one contestant per school may compete in each weight class.

The deadline for verification of entries is the completion of weigh ins. Coaches MUST declare the weight class in which each wrestler will compete by the conclusion of weigh ins. If a coach weighs in two wrestlers for a weight class he MUST declare which of the two will actually compete in that weight class by the conclusion of weigh ins. NFHS rules also allow a wrestler to compete one weight class above the weight class for which he actually weighs in, as long as the coach notifies the tournament manager by the verification deadline. Coaches may verify entries privately with the tournament manager, or his/her designee, if they choose.

GRAND MARCH AT THE STATE TOURNAMENT

The top eight place winners will participate in the Grand March. **Wrestlers participating in the Grand March of Champions** are to wear only school issued attire. Awards will not be presented to wrestlers not participating in the Grand March. *(Exception: Doctor's / school administrator's excuse.)*

LENGTH OF PERIODS

ALL matches during post-season competition (championship and consolation) will consist of three, 2-minute periods (2-2-2).

NEWS MEDIA AT STATE WRESTLING

Any bona fide member of the media planning to attend the State Wrestling Tournament should contact the IHSAA Office for credentials. (*This does not include a representative of the school paper, yearbook etc.*).

OFFICIALS FOR POST-SEASON TOURNAMENTS

Officials for all post-season tournaments will be assigned and paid by the Athletic Association. Each tournament host will be notified as to the officials assigned to their tournament.

PAIRINGS, BRACKETS & SEEDING

Pairings for Class 1-A, 2-A sectional, and 3-A district, tournaments will be conducted under the supervision of the Tournament Manager, or his/her designee. The rules provide for seeding, if coaches are in general agreement that seeding for a particular weight class should take place. The tournament manager will determine the starting time for the seeding meeting. The seeding meeting may begin **before** all weight classes have weighed in so as not to delay the start of the meet. If no seeding takes place, the wrestlers will be placed on the bracket by random draw. Complete pairing information appears in this manual and rule 10-3 of the NFHS Wrestling Rule Book.

All seeding shall be done according to Rule 10.3 of the current NFHS Wrestling Rule Book. Tournament management, and/or the head coaches as a group, should establish criteria for seeding prior to commencing the actual seeding meeting. If the coaches cannot agree on the number of wrestlers to seed, or who to seed, placement on the bracket for all wrestlers in the affected weight class(es) will be drawn by lot. There is no mandatory criteria for determining seed positions or the number of wrestlers to seed. Consideration should be given to following when determining seed placement:

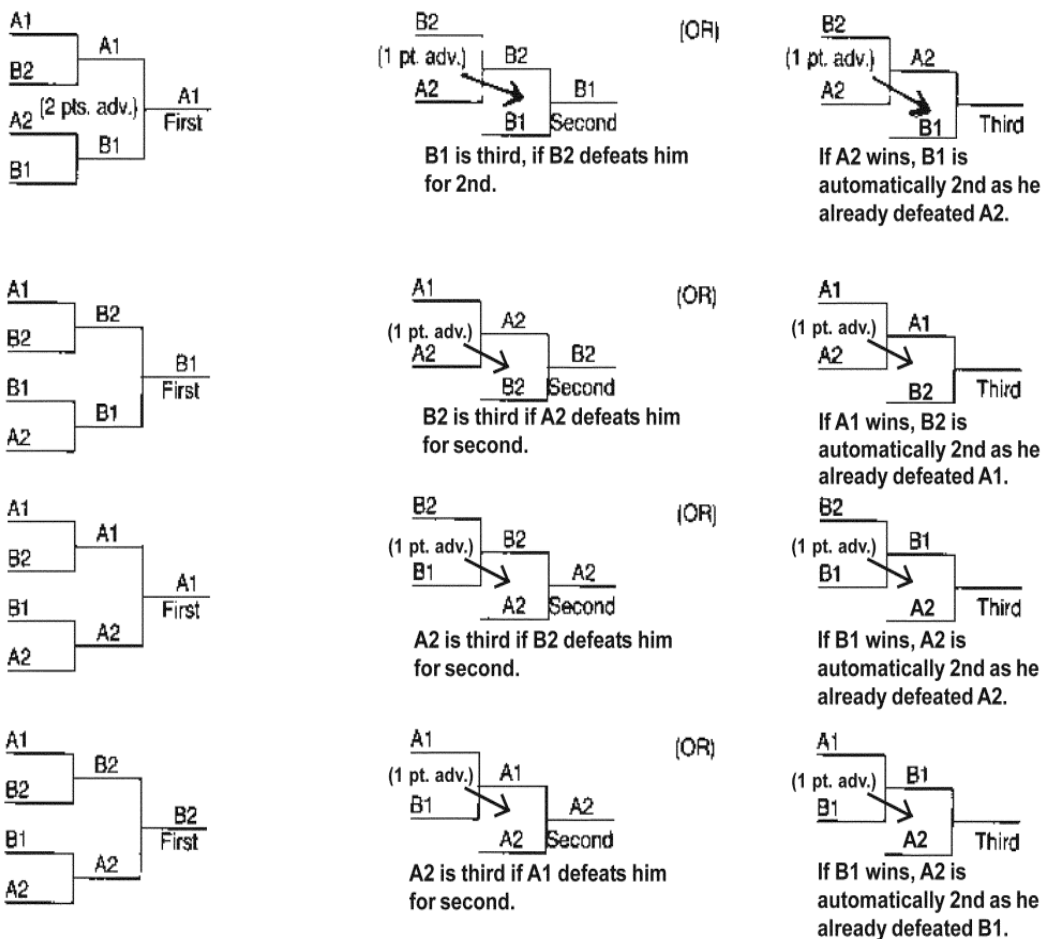
- Varsity competition only;
- Records against common opponents (*byes do not count as a win*);
- Returning sectional, district, state champion or runner-up in the same weight class;
- Seeding only winning records;
- Seeding only those wrestlers who have wrestled a minimum number of matches;
- Exceptional record against acknowledged strong opposition;
- Best overall record.

A seeded wrestler shall have the same opportunity for a bye as any other contestant, or byes may be placed by mutual consent.

CLASS 1A/ 2A SECTIONAL & 3A DISTRICT WRESTLING BRACKETS

Seed all weight classes according to NFHS rule 10-3. (*Numbers on the bracket in parentheses indicate seeded wrestlers.*)

- 1) If there are 4, or fewer, wrestlers in a weight class use a 4-line bracket, with 6-place scoring.
- 2) If byes are necessary, draw for them according to NFHS rule 10-3.
- 3) After any byes are drawn, place the remaining wrestlers by draw.



PRAYER AT IHSAA-SPONSORED EVENTS

IHSAA Board of Control action from February 24, 2001 states, "Prayer shall not be permitted at IHSAA-sponsored events in accordance with the Supreme Court ruling on June 17, 2000". (Supreme Court of the United States, Santa Fe Independence School District vs. Jane Doe, #99-62).

RADIO & TV BROADCASTS

Radio stations must seek permission from the site manager to broadcast sectional and district wrestling tournaments. The radio station, not the tournament manager, is responsible for a telephone line. The IHSAA does not allow any alcohol or tobacco advertising when its events are being broadcast.

The Board of Control policy for television broadcasting of sectional and district wrestling tournaments is that there is a \$500 fee for sectional and district tournament on a 24-hour delay basis, unless the broadcast is by a nonprofit cable TV station. The above policy does not prohibit a 3-minute highlight for television newscasts.

REPORTING RESULTS

The Athletic Association will contact each sectional and district tournament host regarding the reporting of individual and team results.

SCORING

Tournament scoring will be as per NFHS rules, with the exception of advancement points. **Those exceptions are: two advancement points will be awarded to all competitors receiving a bye in first-round competition regardless of the outcome of the following match and one advancement point will be awarded in the consolation round to competitors receiving a bye in the first-round consolation, regardless of the outcome of the next match. If there are only five wrestlers on a bracket, the wrestler placing fifth will receive one advancement point as he has no opportunity to improve his placement.**

Team scoring - In 1-A/2-A sectional and 3-A district tournaments, team points will be scored for the first six (6) places as follows: 16-12-9-7-5-3 for the first six places. In the 1-A/2-A districts, points will be scored for the first three (3) places as follows, 14-10-7. ***Regardless of the number of wrestlers in a bracket (even if there are less than six wrestlers), 6-place scoring is used at 1A/2A sectional meets and 3A district meets and 3-place scoring is used 1A/2A at district meets. Team scoring must be contested within 30 minutes after the tournament, or the posting of final team scores, in order for any consideration to be given to correcting the team score.***

SECTIONAL & DISTRICT TOURNAMENT MANAGER REPORTS

Sectional & district tournament managers will receive information from the IHSAA regarding the reporting of the results and financial reports for their tournaments.

TEAM TIES AT SECTIONAL AND DISTRICT TOURNAMENTS

To determine the team winner of a sectional and/or district tournament which ends in a team tie for first place, the following criteria will be applied in the order listed:

- a. The team with the most individual champions will be declared the winner.
- b. The team with the most second-place winners will be declared the winner.
- c. The team with the most third-place winners will be declared the winner.
- d. The team with the most fourth-place winners will be declared the winner.
- e. The team with the most victories in head-to-head competition with other tied teams throughout the tournament will be declared the winner.
- f. The team with the most victories in the championship and consolation brackets will be declared the winner. *(Do not count byes)*
- g. The team that has accumulated the most advancement points throughout the tournament will be declared the winner.
- h. The team with the most pins, defaults, disqualifications and forfeits in the tournament will be declared the winner.
- i. The team with the most technical falls will be declared the winner.
- j. The team with the most major decisions will be declared the winner.
- k. If a tie still exists, a winner will be declared by a flip of the coin.

WALL CHARTS

The IHSAA will furnish wall charts for each weight class to all sectional and district tournament managers. The champion in each weight class will receive the wall chart when competition has been completed for the day.

WEIGH-INS

Weigh-ins for all sectional and district tournaments begin two hours before the scheduled starting time. Each wrestler who has certified their minimum weight class receives the two-pound growth allowance, as per NFHS rules. The tournament manager, or his/her designee, as well as the lead official, should be present at weigh-ins. When the weigh-ins are completed, the tournament manager, or his/her designee, should sign the weigh-in forms to verify their accuracy and make copies of the forms for all participating head coaches.

WEIGH-IN FORMS

Coaches must enter their wrestlers into the **NWCA OPC ON-LINE weigh-in form** for their Class 1-A, 2-A Sectional, or 3-A District Meets, just as they have during the regular season. This form will show each wrestler's lowest certifiable weight for the tournament according to their descent plan. **Coaches should also take with them copies of the actual weigh-in forms from each regular season meet.** These actual weigh-in forms are to be presented to the Meet Manager, or his/her designee, if any questions arise regarding the weight class at which a wrestler is qualified to weigh-in. **Any wrestler competing in the tournament at a weight class for which he is NOT qualified will be disqualified from the tournament.** Class 1-A and 2-A district qualifiers, and all state qualifiers, do not need to be entered into the NWCA OPC Online weigh-in form as they must weigh-in for the same weight class at which they competed during qualifying tournament.

WRESTLING EXPENSE ALLOWANCE

A prerequisite for receiving any expense allowance from the IHSAA is that your school must travel to another town for the tournament participation.

Mileage for ALL rounds of post-season:

1-4 participants = \$.45 per mile

5-8 participants = \$.90 per mile

>8 participants = \$1.15 per mile

Additional Expense Allowance

Sectional & District tournaments:

\$6.00 per participant

State tournament:*

Travel <50 miles = \$0.00

Travel 50-99 miles = \$10.00 per participant, per day competing

Travel >99 miles & NO lodging used = \$15.00 per participant, per day competing

Travel >99 miles & lodging USED = \$35.00 per participant, per day competing

* = fill out on-line expense allowance form

STATE TOURNAMENT PAIRINGS & BRACKETING

In the first round of the state tournament, a champion from one district will be paired with a runner-up from another district. The district tournament sites will be listed alphabetically (A, B, C, D, E, F, G, H) and a random draw will take place to determine what weights will be assigned to the following pairings.

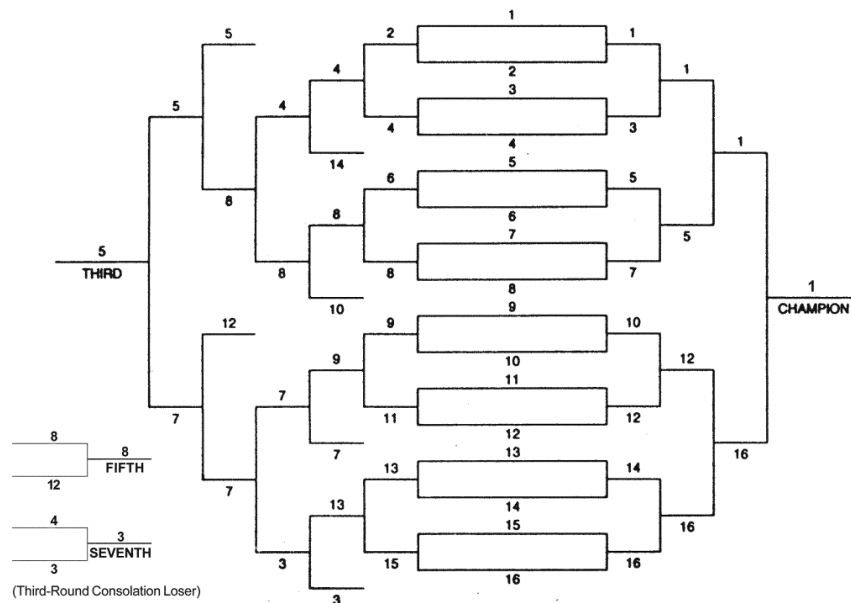
UPPER BRACKET

A-1	B-1	C-1	D-1	E-1	F-1	G-1
H-2	H-2	D-2	F-2	H-2	B-2	C-2
B-1	D-1	E-1	H-1	B-1	G-1	B-1
G-2	G-2	F-2	C-2	C-2	E-2	D-2
F-1	A-1	G-1	A-1	D-1	D-1	A-1
C-2	F-2	H-2	G-2	A-2	H-2	E-2
E-1	C-1	A-1	E-1	G-1	A-1	H-1
D-2	E-2	B-2	B-2	F-2	C-2	F-2

LOWER BRACKET

H-1	H-1	D-1	F-1	H-1	B-1	C-1
A-2	B-2	C-2	D-2	E-2	F-2	G-2
G-1	G-1	F-1	C-1	C-1	E-1	D-1
B-2	D-2	E-2	H-2	B-2	G-2	B-2
C-1	F-1	H-1	G-1	A-1	H-1	E-1
F-2	A-2	G-2	A-2	D-2	D-2	A-2
D-1	E-1	B-1	B-1	F-1	C-1	F-1
E-2	C-2	A-2	E-2	G-2	A-2	H-2

DOUBLE ELIMINATION BRACKET WITH CROSS BRACKETING FROM THE QUARTERFINALS



If for some reason (injury, illness, ineligibility, etc.) a wrestler who has qualified for the state tournament cannot compete, the athletic director from the wrestler's school should call the IHSAA immediately. When this occurs, the third-place finisher from that district will advance to state competition. If a district champion is unable to compete in the state tournament, the runner-up from that district will take the champion's place on the state meet bracket and the 3rd-place wrestler from that district will take the runner-up place on the bracket. If a runner-up is unable to compete, the 3rd-place wrestler from that district will take the runner-up's place on the bracket. In no case will a 4th-place district finisher advance to the state tournament.

2010 IHSAA STATE WRESTLING TOURNAMENT & WEIGH-IN SCHEDULE

February 17 - 20, 2010

Wells Fargo Arena, Des Moines, IA

(All matches, championship & consolation, will consist of 3, 2-minute periods)

WEDNESDAY, FEBRUARY 17

SESSION 1 (8 mats) 1:00pm - 4:30pm Class 2A 1st round and 1st round consolations
Weigh-in for Session 1: 11:00am

SESSION 2 (8 mats) 6:30pm - 10:00pm Class 3A 1st round and 1st round consolations
Weigh-in for Session 2: 4:30pm

THURSDAY, FEBRUARY 18

SESSION 3 (8 mats) 9:00am - 12:30pm Class 1A 1st round and 1st round consolations
Weigh-in for Session 3: 7:00am

SESSION 4 (8 mats) 2:00pm - 4:15pm Class 2A quarter-finals and 2nd round consolations
Weigh-in for Session 4: 12:00, noon

SESSION 5 (8 mats) 6:30pm - 8:45pm Class 3A quarter-finals and 2nd round consolations
Weigh-in for Session 5: 4:30pm

FRIDAY, FEBRUARY 19

SESSION 6 (8 mats) 9:00am - 11:15am Class 1A quarter-finals and 2nd round consolations
Weigh-in for Sessions 6 & 8: 7:00am

SESSION 7 (8 mats) 1:00pm - 2:15pm Class 2A semifinals and 3rd round consolations
2:15pm - 3:30pm Class 3A semifinals and 3rd round consolations

(Each class wrestles to completion before the next class begins wrestling.)

Weigh-in for Sessions 7 & 8: 11:00am (CLASSES 2A & 3A BOTH WEIGH-IN AT THIS TIME)

SESSION 8 (8 mats) 6:30 - 7:45pm Class 1A semifinals and 3rd round consolations
7:45pm - 9:15pm Class 2A, 3A, 1A consolation semifinals

(Class 1A semifinals and 3rd round consolations will wrestle to completion before the consolation semifinals begin. Consolation semifinal matches will take place on the first open mat and one class will not be completed before the next class begins.)

There is no weigh-in for Session 8 as all wrestlers have already weighed in for the day.

SATURDAY, FEBRUARY 20

SESSION 9 (8 mats) 12:00, noon - 2:30pm Class 2A, 3A, 1A consolation finals
(3rd & 4th, 5th & 6th, 7th & 8th)

(Matches will take place on the first open mat and one class will not be completed before the next class begins.)

Weigh-in for Sessions 9 & 10: 10:00am

SESSION 10 (3 mats) 5:45pm IWCOA, IHSADA & IHSAA Awards

6:00pm Grand march and Finals for all classes

There is no weigh-in for Session 10 as all wrestlers weighed in at 10:00am.